
 GZTECH	Specifications MOPA pulsed fiber lasers Model: YFPN-50-GLE-LR03071A	Revision: V3.6 Date: 202308 Page: 1/3
---	--	---

1 . Optical characteristics

N	Characteristics	Parameter value	Unit
1	Central wavelength	1060-1080	nm
2	Spectral width @3dB	<5	nm
3	Maximum pulse energy	1.25@40kHz	mJ
4	Output Power	50±2.5	W
5	Power Turning Range	0-100	%
6	Frequency Turning Range	5-100	kHz
7	Laser switching ON/OFF time	<50	μs
8	Pulse Width	100-140@40kHz	ns
9	Output power stability	<3	%
10	Beam quality M ²	<1.8	/
11	Polarization direction	Random	/
12	Resist high reaction	Yes	/
13	Indicator red light	0.3-2	/
14	Collimated beam diameter (4σ)	5.5-8.5	mm
15	Delivery cable length	3	m



 GZTECH	Specifications MOPA pulsed fiber lasers Model: YFPN-50-GLE-LR03071A	Revision: V3.6 Date: 202308 Page: 2/3
---	--	---

2 . Electrical characteristics

N	Characteristics	Parameter value	Unit
16	Power supply voltage	24	V
17	Working current	<9	A
18	Power consumption	<216	W
19	Recommended power supply	≥350	W

3 . Environmental requirements

N	Characteristics	Parameter value	Unit
20	Operating temperature	0 - 40	°C
21	Storage temperature	- 10 - 60	°C
22	Cooling Method	Air cooling	/

4 . Structural characteristics

N	Characteristics	Parameter value	Unit
23	Laser dimension	316.5*260*80	mm ³
24	Isolator dimension	200*42*42	mm ³
25	Net weight	<8	kg





GZTECH

Specifications

MOPA pulsed fiber lasers

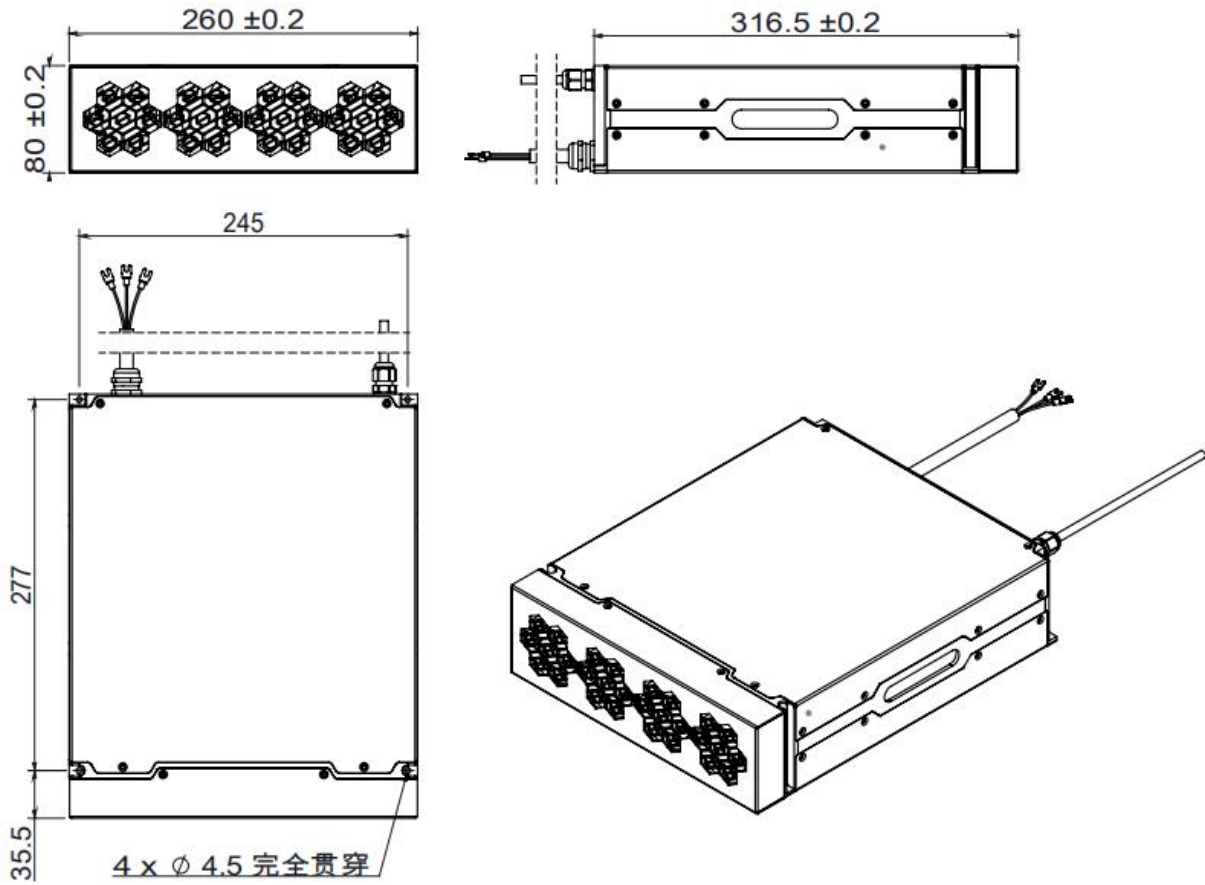
Model: YFPN-50-GLE-LR03071A

Revision: V3.6

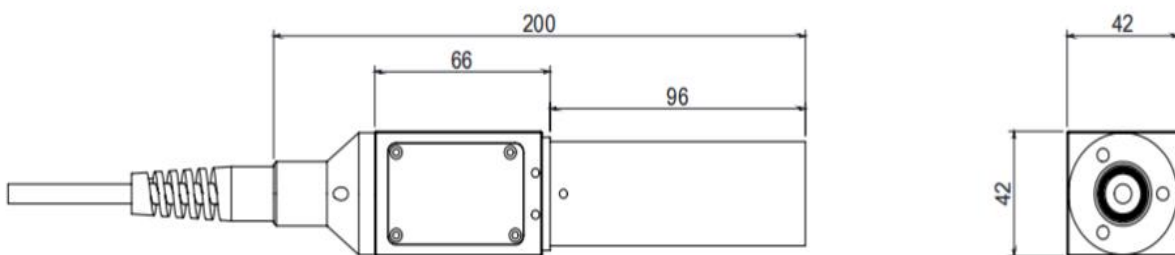
Date: 202308

Page: 3/3

5. Dimension



Laser dimension



Collimation Isolator Dimension



A leading supplier of advanced lasers for precision manufacturing

<https://en.gzlasertech.com/>