
	Specifications	Revision	V1.1
	Solid picosecond laser	Date:	202410
	Model: S-30-1064-P1	Page:	1/4

## 1. Optical characteristics

No.	Characteristics	Parameter value	Unit
1	Central wavelength	1064	nm
2	Average output power	>30@1MHz	W
3	Pulse repetition rate(PRR)	Single ~ 2	MHz
4	Pulse duration(FWHM)	< 15	ps
5	Output power stability (Std.Dev)	< 3%	RMS
6	Beam quality M <sup>2</sup>	< 1.3	/
7	Beam circularity, far field	>90%	/
8	1/e <sup>2</sup> beam diameter@20cm	1.5 ± 0.2	mm
9	Polarization direction	Level	/
10	Polarization ratio	>100:1	/
11	Bare light divergence angle	<1	mrad
12	Warm-up time from cold start	<30	min



	Specifications	Revision	V1.1
	Solid picosecond laser	Date:	202410
	Model: S-30-1064-P1	Page:	2/4

## 2. Electrical characteristics

No.	Characteristics	Parameter value	Unit
13	Power supply voltage	24	VDC
14	Working current	< 25	A
15	Power consumption	< 600	W
16	Recommended power	≥ 800	W


## 3. Environmental requirements

No.	Characteristics	Parameter value	Unit
17	Ambient temperature	15 - 35	°C
18	Storage temperature	- 10 - 50	°C
19	Ambient relative humidity	< 90	%

## 4. Water cooler requirements

No.	Characteristics	Parameter value	Unit
20	Cooling capacity	> 1000	W
21	Water flow	> 6	L/min
22	Water tank temperature control	25 ± 0.3	°C

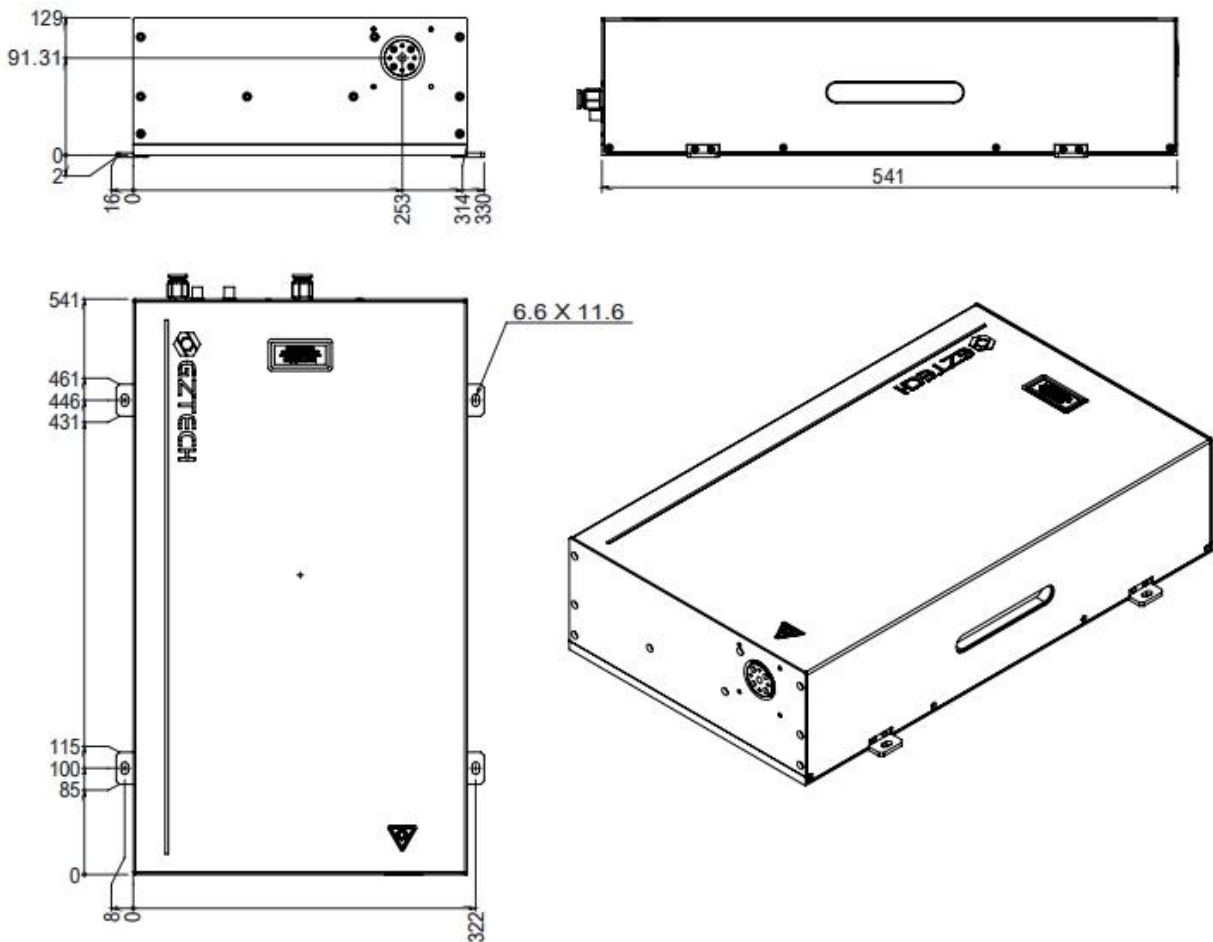


	Specifications	Revision	V1.1
	Solid picosecond laser	Date:	202410
	Model: S-30-1064-P1	Page:	3/4

## 5. Structural characteristics

No.	Characteristics	Parameter value	Unit
23	Laser dimension (without feet and galvanometer adapter)	541*314*129	mm
24	Net weight	≤35	kg

## 6. Dimension





GZTECH

## Specifications

Solid picosecond laser

Model: S-30-1064-P1

Revision

V1.1

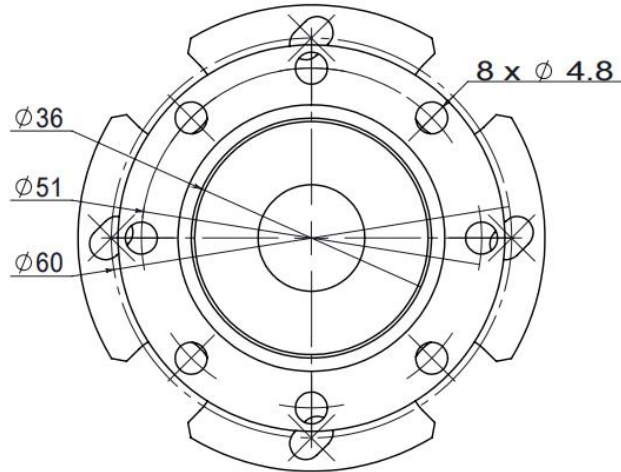
Date:

202410

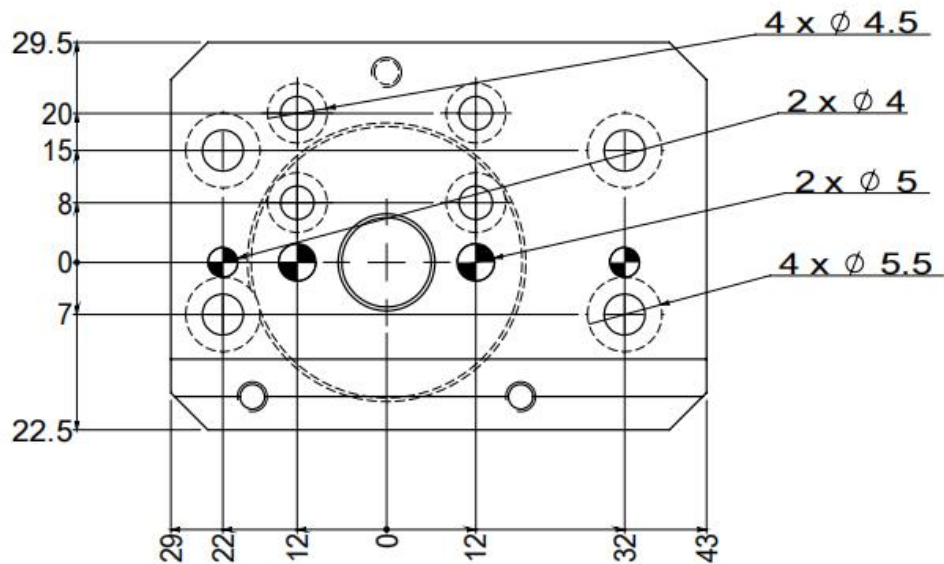
Page:

4/4

### 7. Galvanometer connection tube



### 8. Galvanometer adapter



A leading supplier of advanced lasers for precision manufacturing

<https://en.gzlasertech.com/>