
 GZTECH	Specifications MOPA pulsed fiber lasers Model: YFPN-40-GR-030202	Revision: V 1.1 Date: 2023/12 Page: 1/5
--	---	---

1. Optical characteristics

N	Characteristics	Parameter value	Unit
1	Central wavelength	532	nm
2	Spectral width @3dB	<1	nm
3	Single pulse energy	0.11	mJ
4	Maximum peak power	10	kW
5	Output Power	40	W
6	Power Turning Range	0-100	%
7	Frequency Turning Range	10-1000	kHz
8	Laser switching ON/OFF time	< 20	μs
9	Pulse Width	2-5	ns
10	Output power stability	< 5	%
11	Number of pulses in a macro pulse	2-8	Piece
12	Beam quality M ²	< 1.2	/
13	Beam ellipticity	>90	%
14	Polarization direction	Linear polarization	/



 GZTECH	Specifications MOPA pulsed fiber lasers Model: YFPN-40-GR-030202	Revision: V 1.1 Date: 2023/12 Page: 2/5
--	---	---

15	Resist high reaction	Yes	/
16	Collimated beam diameter (4σ)	3±0.5	mm
17	Delivery cable length	2	m


2. Electrical characteristics

N	Characteristics	Parameter value	Unit
18	Power supply voltage	48	VDC
19	Working current	< 5	A
20	Power consumption	<480	W
21	Recommended power	≥600	W

3. Environmental requirements

N	Characteristics	Parameter value	Unit
22	Operating temperature	0 - 40	°C
23	Storage temperature	-10 - 60	°C
24	Cooling Method	Water cooling	/
25	Water cooling temperature	25±3	°C




 GZTECH	Specifications MOPA pulsed fiber lasers Model: YFPN-40-GR-030202	Revision: V 1.1 Date: 2023/12 Page: 3/5
--	---	---

26	Cooling water flow	>5	L/min
27	Water pipe diameter	10	mm
28	Chiller cooling capacity	≥500	W

4. Structural characteristics

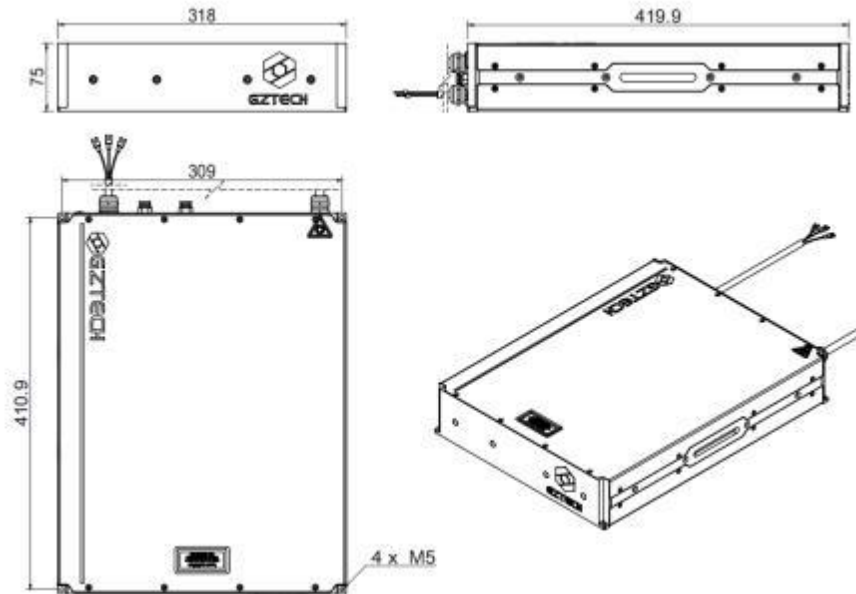
N	Characteristics	Parameter value	Unit
29	Laser dimension	420*318*75	mm ³
30	Isolator dimension	300*200*107	mm ³
31	Packaging size	730*710*170	mm ³
32	Net weight	<25	kg



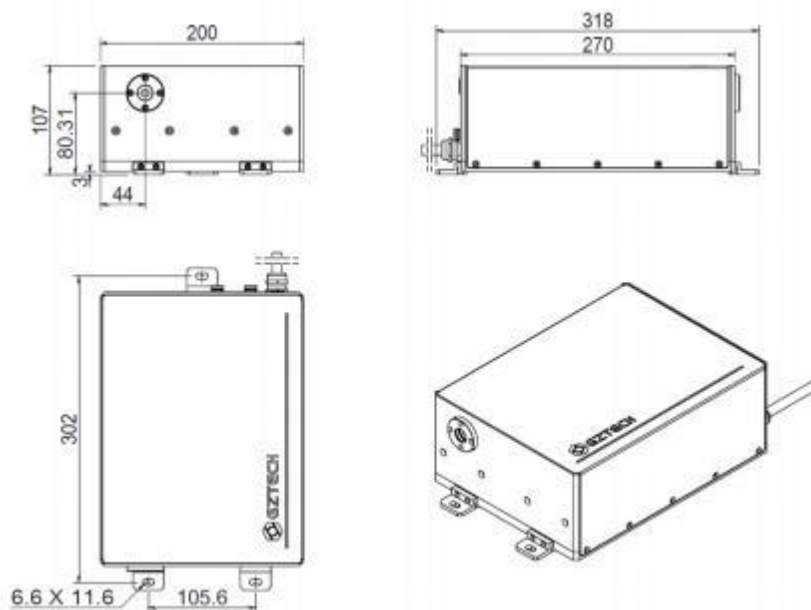
 GZTECH	Specifications MOPA pulsed fiber lasers Model: YFPN-40-GR-030202	Revision: V 1.1 Date: 2023/12 Page: 4/5
--	---	---


5. Dimension

Laser dimension



Isolator Dimension



 GZTECH	Specifications	Revision:	V 1.1
	MOPA pulsed fiber lasers	Date:	2023/12
	Model: YFPN-40-GR-030202	Page:	5/5

Real photos

